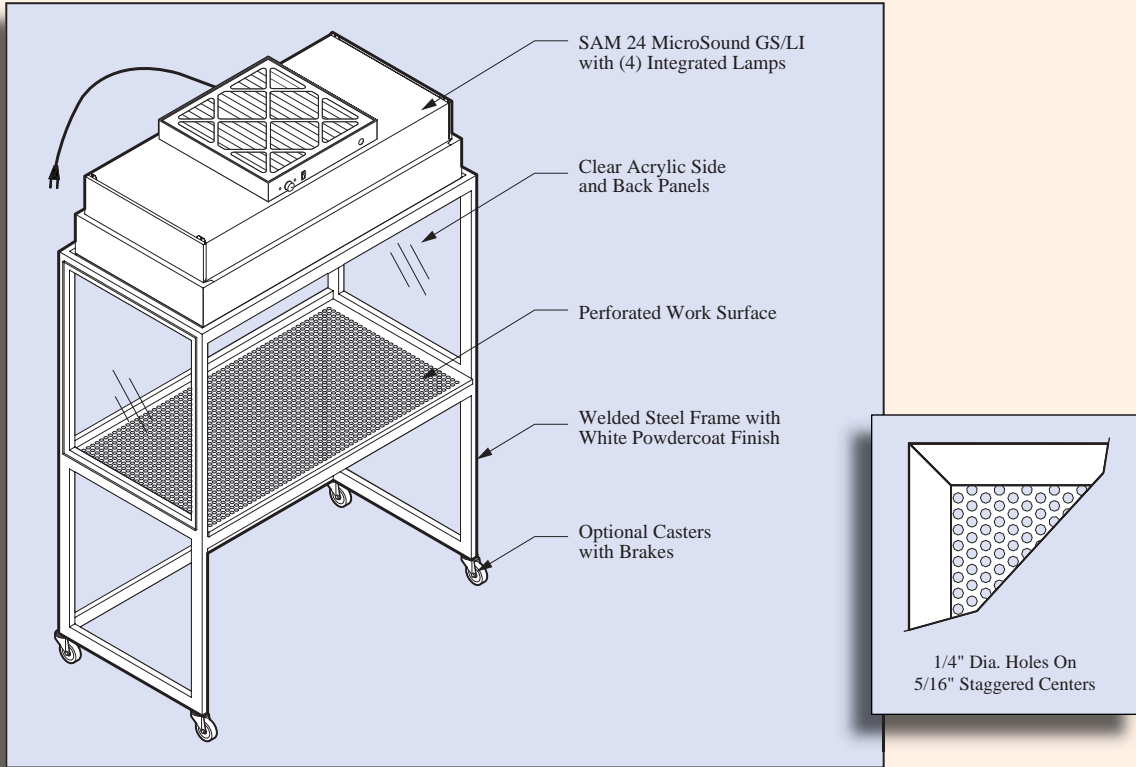
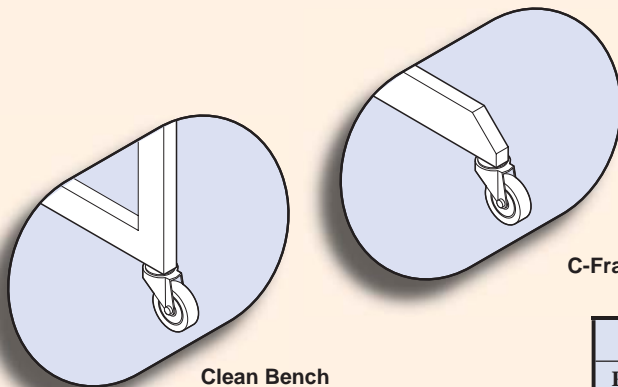


“E” Series Clean Bench Options

Horizontal and Vertical Flow Stainless Steel Perforated Work Surfaces



Part No.	Description	Part No.	Description
19101	SS Work Surface 24" D for 2 Ft Clean Bench	19105	SS Work Surface 32" D for 2 Ft Clean Bench
19102	SS Work Surface 24" D for 4 Ft Clean Bench	19106	SS Work Surface 32" D for 4 Ft Clean Bench
19103	SS Work Surface 24" D for 6 Ft Clean Bench	19107	SS Work Surface 32" D for 6 Ft Clean Bench
19104	SS Work Surface 24" D for 8 Ft Clean Bench	19108	SS Work Surface 32" D for 8 Ft Clean Bench

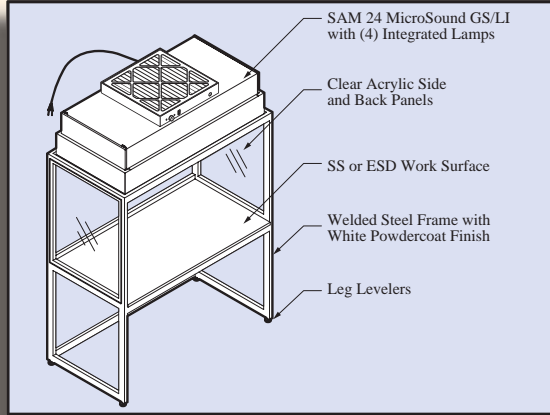


C-Frame

Clean Bench

Caster Option	
Part No.	Description
805083	Caster, 3" w/Brakes, (4) req'd.

“E” Series Clean Bench and C-Frame Options

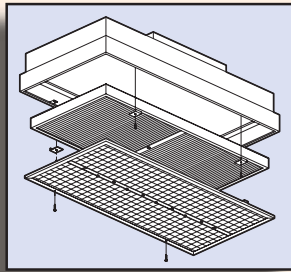


Stainless Steel Work Surfaces	Part No.	Description
	19109	SS Work Surface 24" D for 2 Ft Clean Bench
	19110	SS Work Surface 24" D for 4 Ft Clean Bench
	19111	SS Work Surface 24" D for 6 Ft Clean Bench
	19112	SS Work Surface 24" D for 8 Ft Clean Bench
	19113	SS Work Surface 32" D for 2 Ft Clean Bench
	19114	SS Work Surface 32" D for 4 Ft Clean Bench
	19115	SS Work Surface 32" D for 6 Ft Clean Bench
	19116	SS Work Surface 32" D for 8 Ft Clean Bench

ESD Work Surfaces	Part No.	Description
	19117	ESD Work Surface 24" D for 2 Ft Clean Bench
	19118	ESD Work Surface 24" D for 4 Ft Clean Bench
	19119	ESD Work Surface 24" D for 6 Ft Clean Bench
	19120	ESD Work Surface 24" D for 8 Ft Clean Bench
	19121	ESD Work Surface 32" D for 2 Ft Clean Bench
	19122	ESD Work Surface 32" D for 4 Ft Clean Bench
	19123	ESD Work Surface 32" D for 6 Ft Clean Bench
	19124	ESD Work Surface 32" D for 8 Ft Clean Bench

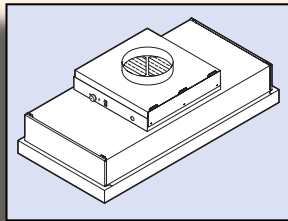
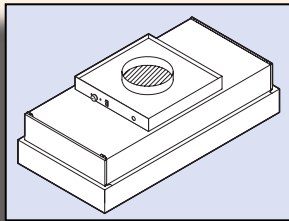
Static Control Package

(Static Pulse Box Controller is pre-wired and installed in 4ft, GS unit)



Part No.	Description
19754	2' models, 115V, 60Hz
19755	2' models, 208-230V, 50/60Hz
19750	4' models, 115V, 60Hz
19751	4' models, 208-230V, 50/60Hz
19752	6' models, 115V, 60Hz
19753	6' models, 208-230V, 50/60Hz
19756	8' models, 115V, 60Hz
19757	8' models, 208-230V, 50/60Hz

Duct Collar Adapters



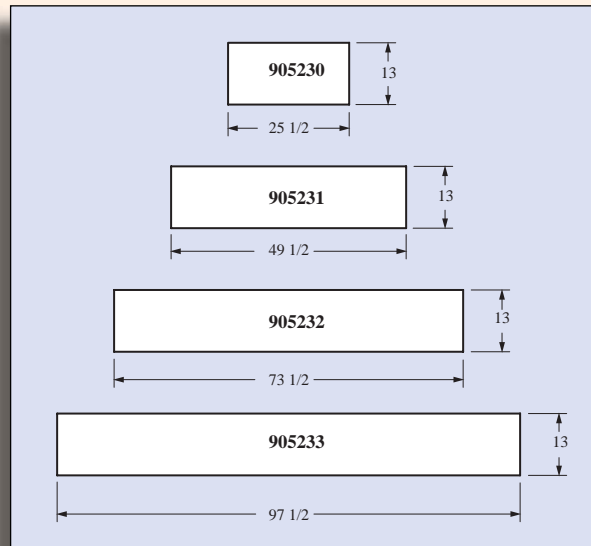
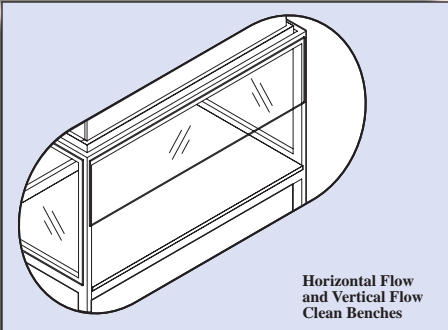
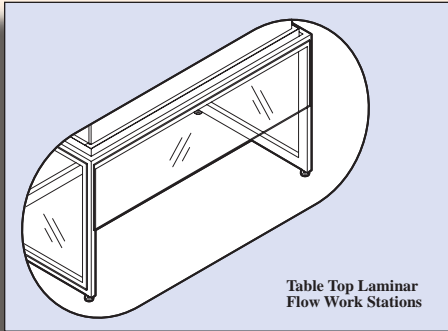
Part No.	Description
19950	10" Duct Collar Adapter
19951	12" Duct Collar Adapter
19952	Side Load Prefilter Frame w/10" Duct Collar Adapter
19953	Side Load Prefilter Frame w/12" Duct Collar Adapter
NOTE: (2) required for SAM 26 Models	

Additional Options

208-230V, 50/60 hz motor	250V, 50 hz lighting for export models
277V, 60 hz motor	ULPA Filter 99.9995% eff @ 0.12 micron or larger

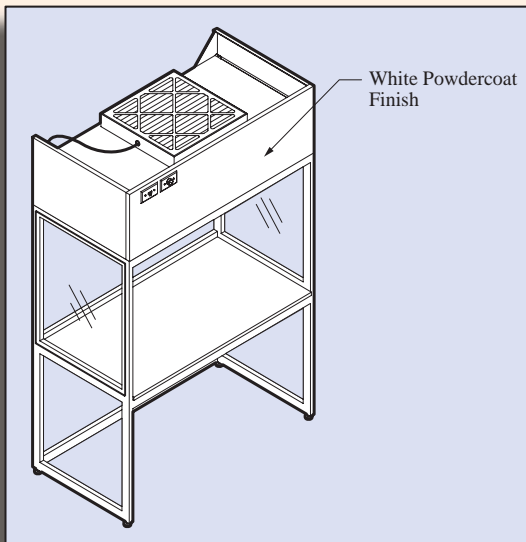
Consult the factory for more information

Front Face Shields



Face Shield Dimensions

Part No.	Description	Part No.	Description
905230	Acrylic Face Shield for 2 Ft Bench	905232	Acrylic Face Shield for 6 Ft Bench
905231	Acrylic Face Shield for 4 Ft Bench	905233	Acrylic Face Shield for 8 Ft Bench



Top Shroud

Top Shrouds are available for enclosing the SAM unit. Easy access to the switches enables the operator to operate the lights independently from the fan motor.

Top Shroud	
Part No.	Description
Vertical Flow	
19140	Top Shroud Unit 24" D for 2 Ft Clean Bench
19141	Top Shroud Unit 24" D for 4 Ft Clean Bench
19142	Top Shroud Unit 24" D for 6 Ft Clean Bench
19143	Top Shroud Unit 24" D for 8 Ft Clean Bench
19144	Top Shroud Unit 32" D for 2 Ft Clean Bench
19145	Top Shroud Unit 32" D for 4 Ft Clean Bench
19146	Top Shroud Unit 32" D for 6 Ft Clean Bench
19147	Top Shroud Unit 32" D for 8 Ft Clean Bench
Horizontal Flow	
19148	Top Shroud Unit 24" D for 2 Ft Clean Bench
19149	Top Shroud Unit 24" D for 4 Ft Clean Bench
19150	Top Shroud Unit 24" D for 6 Ft Clean Bench
19151	Top Shroud Unit 24" D for 8 Ft Clean Bench
19152	Top Shroud Unit 32" D for 2 Ft Clean Bench
19153	Top Shroud Unit 32" D for 4 Ft Clean Bench
19154	Top Shroud Unit 32" D for 6 Ft Clean Bench
19155	Top Shroud Unit 32" D for 8 Ft Clean Bench