

General Information

CFM Terminal Diffusers provide cost effective HEPA or ULPA filtered air for cleanrooms and laminar flow devices.

Worldwide applications include but are not limited to aerospace, automotive, electronics, plastics, pharmaceuticals and semiconductor manufacturing.

Available in 99.99% and 99.9995% efficiencies, each filter is tested to accepted procedures as described by the Institute of Environment Sciences (IEST) and/or ISO standards.

Features

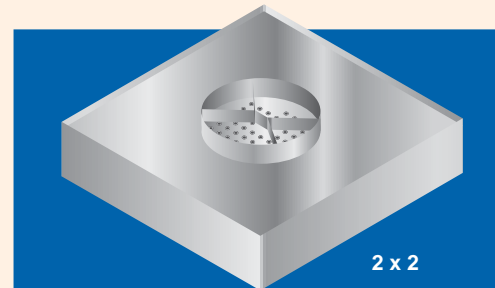
CFM Terminal Diffusers feature low pressure drop, uniform airflow @ 100 FPM +/- 20%, 2" high collar for a secure connection, and are lightweight for easy installation.

General Specifications

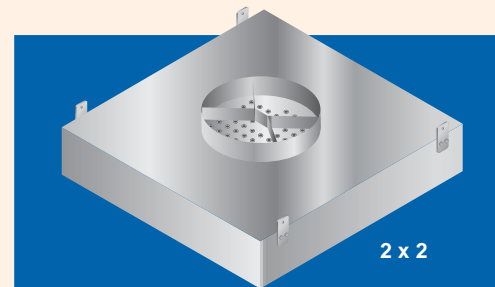
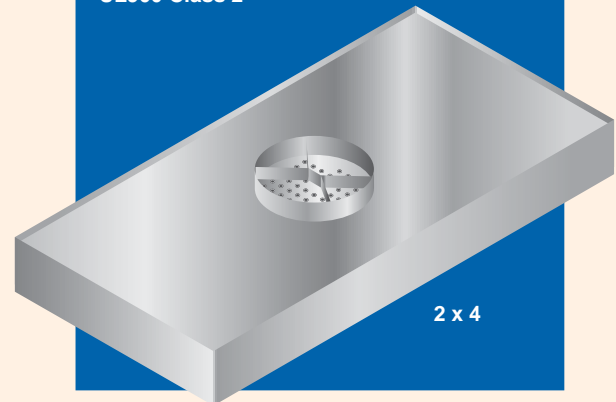
- Anodized extruded aluminum frames.
- Potting material completely encapsulates pleats on all four sides.
- Hood is galvanized steel.
- Available with 10" or 12" duct collar.
- Damper is adjustable from roomside.
- A white epoxy powder coated steel grille protects filter media from damage.
- Centerboard with access port for disc adjustment and challenge injection.
- Seismic holes or tabs provided for compliance with UBC requirements and standards.
- All Materials used shall be fire retardant and self extinguishing in accordance with Underwriter Laboratories UL 586 and UL900 Classifications.

Available Classes

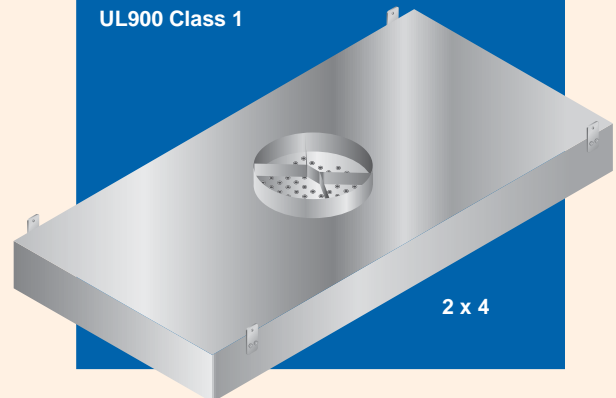
- UL900 Class 2 HEPA 2.0" (51mm) Media Pack.
- UL900 Class 2 ULPA 2.5" (63mm) Media Pack.
- UL900 Class 1 HEPA 1.61" (41mm) Media Pack.
- UL900 Class 1 ULPA 1.61" (41mm) Media Pack.



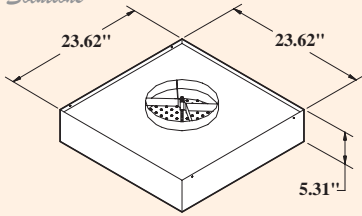
UL900 Class 2



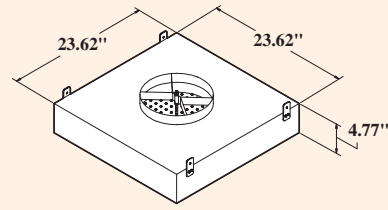
UL900 Class 1



Data For CFM Terminal Diffusers

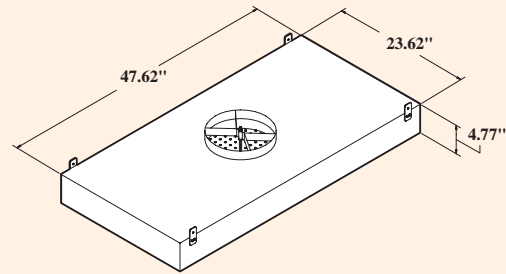
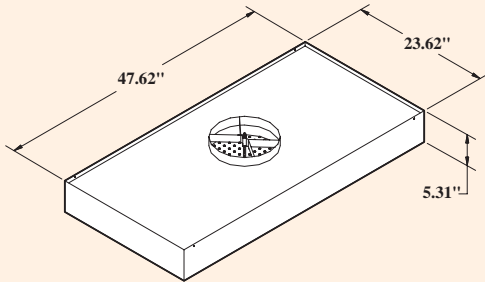


Class 2



Class 1

NOTE: Collar adds 2" to height



Ordering Information

Mfg. Code	HEPA	UL 900	Nominal Size	Actual Size (In)	Inlet Collar	Media Pack	Efficiency	Pres. Drop @ 100 Fpm	Ship Weight
11145*	Class 2	2 x 2	2 x 2	23.62 x 23.62 x 5.31	10	2.0"	99.99% @ 0.3	0.54"wg	25 lbs.
11146*	Class 2	2 x 2	2 x 2	23.62 x 23.62 x 5.31	12	2.0"	99.99% @ 0.3	0.54"wg	25 lbs.
11147*	Class 2	2 x 4	2 x 4	23.62 x 47.62 x 5.31	10	2.0"	99.99% @ 0.3	0.54"wg	32 lbs.
11148*	Class 2	2 x 4	2 x 4	23.62 x 47.62 x 5.31	12	2.0"	99.99% @ 0.3	0.54"wg	32 lbs.
ULPA									
11149	Class 2	2 x 2	2 x 2	23.62 x 23.62 x 6.21	10	2.5"	99.9995% @ 0.12	0.70"wg	25 lbs.
11150	Class 2	2 x 2	2 x 2	23.62 x 23.62 x 6.21	12	2.5"	99.9995% @ 0.12	0.70"wg	25 lbs.
11151	Class 2	2 x 4	2 x 4	23.62 x 47.62 x 6.21	10	2.5"	99.9995% @ 0.12	0.70"wg	32 lbs.
11152	Class 2	2 x 4	2 x 4	23.62 x 47.62 x 6.21	12	2.5"	99.9995% @ 0.12	0.70"wg	32 lbs.

* Stock Item

Ordering Information

Mfg. Code	HEPA	UL 900	Nominal Size	Actual Size (In)	Inlet Collar	Media Pack	Efficiency	Pres. Drop @ 100 Fpm	Ship Weight
11134	Class 1	2 x 2	2 x 2	23.62 x 23.62 x 4.77	10	1.61"	99.99% @ 0.3	0.54"wg	34 lbs.
11135	Class 1	2 x 2	2 x 2	23.62 x 23.62 x 4.77	12	1.61"	99.99% @ 0.3	0.54"wg	34 lbs.
11137	Class 1	2 x 4	2 x 4	23.62 x 47.62 x 4.77	10	1.61"	99.99% @ 0.3	0.54"wg	50 lbs.
11138	Class 1	2 x 4	2 x 4	23.62 x 47.62 x 4.77	12	1.61"	99.99% @ 0.3	0.54"wg	50 lbs.
ULPA									
11144	Class 1	2 x 2	2 x 2	23.62 x 23.62 x 4.77	10	1.61"	99.9995% @ 0.12	0.70"wg	34 lbs.
11141	Class 1	2 x 2	2 x 2	23.62 x 23.62 x 4.77	12	1.61"	99.9995% @ 0.12	0.70"wg	34 lbs.
11142	Class 1	2 x 4	2 x 4	23.62 x 47.62 x 4.77	10	1.61"	99.9995% @ 0.12	0.70"wg	50 lbs.
11143	Class 1	2 x 4	2 x 4	23.62 x 47.62 x 4.77	12	1.61"	99.9995% @ 0.12	0.70"wg	50 lbs.

Optional Thermal Insulation

19001	2 x 2 Insulation Blanket, 1.5" Gray Vinyl	19004	2 x 2 Insulation Blanket, 1.5" Foil
19002	2 x 4 Insulation Blanket, 1.5" Gray Vinyl	19005	2 x 4 Insulation Blanket, 1.5" Foil