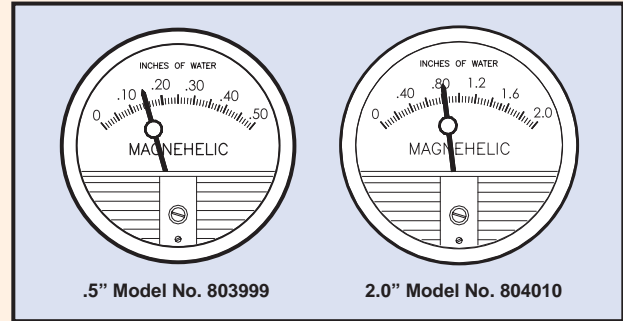


Magnehelic Gages

Measures Blower Pressure, Filter Resistance and Room Pressure Drop

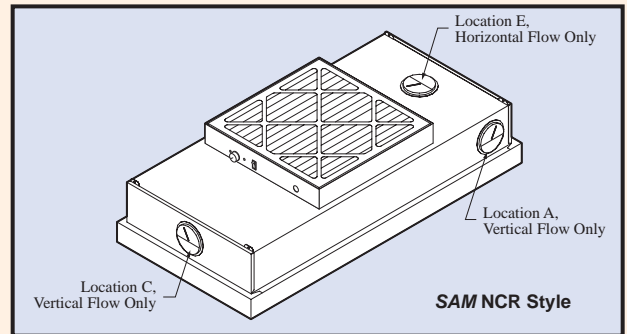
Magnehelic Gages	
Model No.	Description
803999	.5" Magnehelic Gage (Gage Only)
804000	1.0" Magnehelic Gage (Gage Only)
804010	2.0" Magnehelic Gage (Gage Only)

Static Pressure Chart	
For Room Static Pressure	-0.25 to + .25
For Prefilter Resistance	0 to + .5
For HEPA Filter Resistance	0 to + 2.0



Flush Mounted Gage	
Model No.	Description
19802	2.0" Magnehelic Gage (*Mounted Flush in Housing)

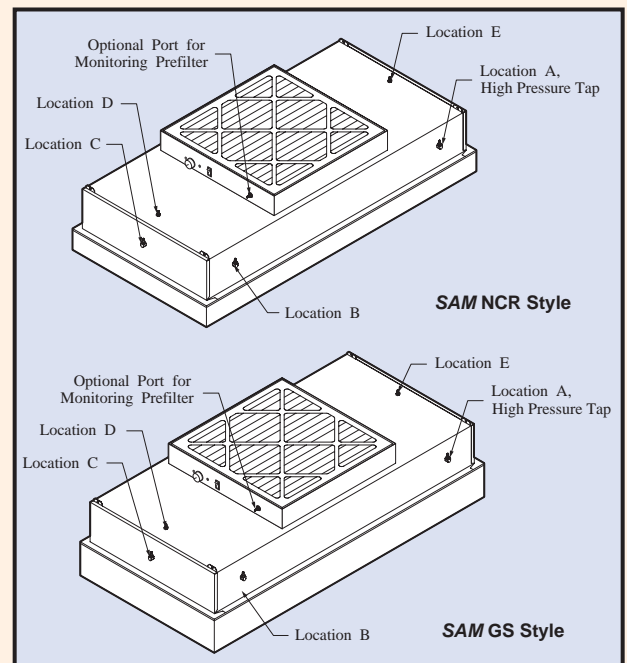
* See Locations A, C, or E.



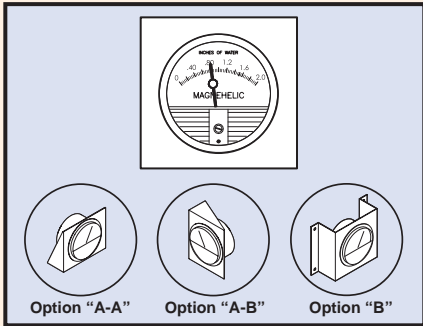
Choice of Several Locations
(See Illustrations)

Ports Installed In Housing (For Remote Gage)	
Model No.	Description
19801	2.0" Magnehelic Gage (*Including Ports in Housing)
19803	(1) Port Only, Magnehelic Gage Supplied By Others

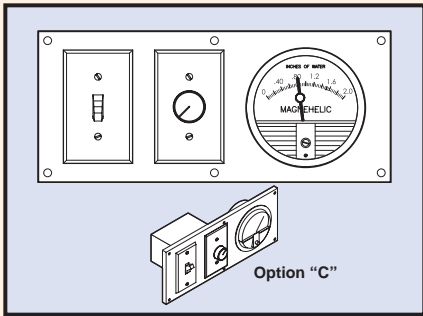
* See Locations A, B, C, D, or E.



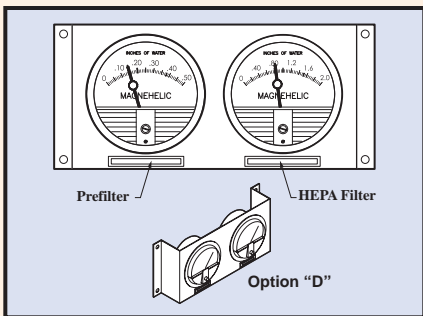
Magnehelic Gages cont.



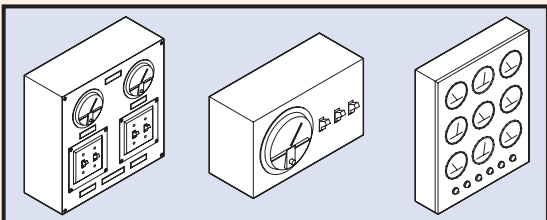
Multiple locations are possible.
"A-A"/"A-B" designate orientation



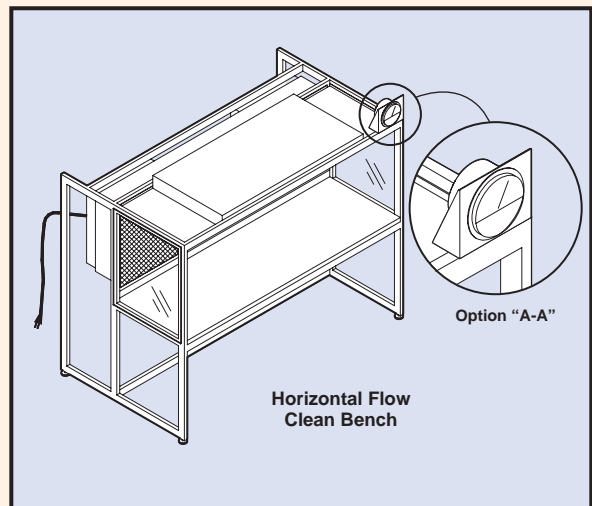
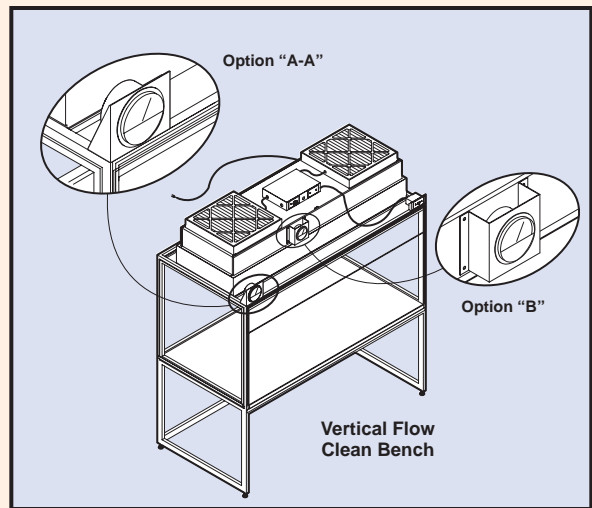
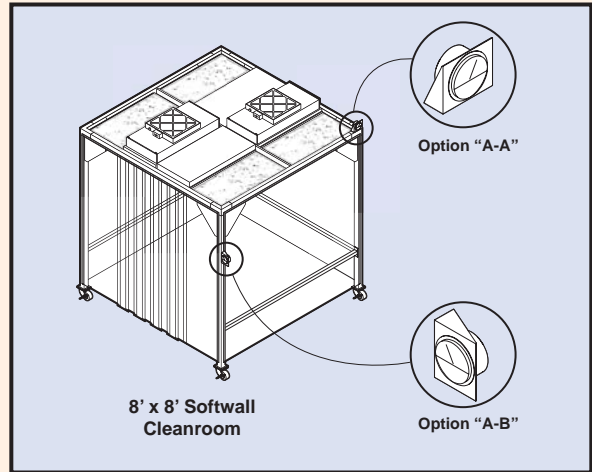
Magnehelic Gage is surface mounted on a flat control panel with On/Off switch and variable speed control.



Dual Magnehelic Gages measure prefilter and HEPA/ULPA filter resistance.



Examples of CRI Surface Mounted Control Panels



* Consult the factory for more information