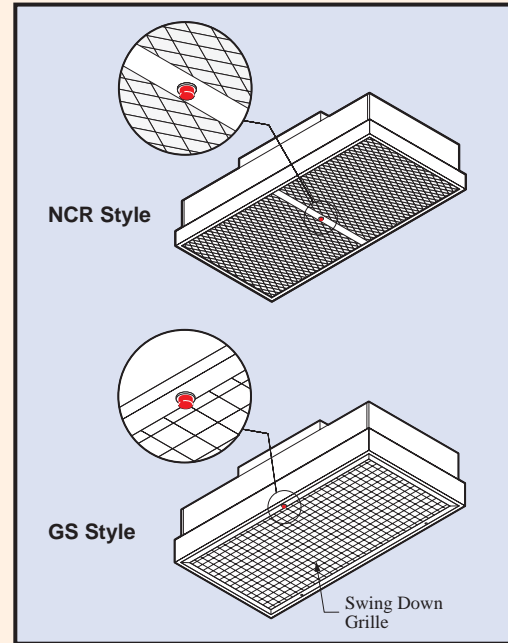


Pilot Light, Power Cord and Prefilter

Roomside Pilot Light

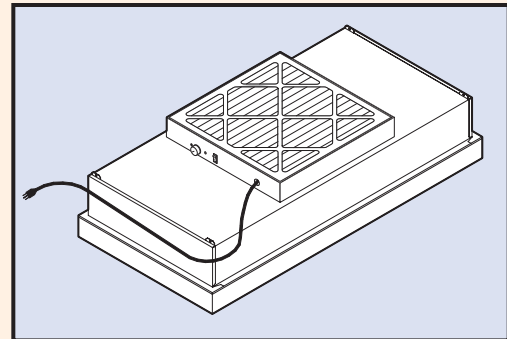
Model No.	Description
19700	NCR Style Red Pilot Light 110V Only Light Indicates Power to Motor
19701	NCR Style Pilot Light w/Pressure Switch 110V Only Light Indicates Power to Motor and Air Flow
19702	GS Style Red Pilot Light 110V Only Light Indicates Power to Motor
19703	GS Style Pilot Light w/Pressure Switch 110V Only Light Indicates Power to Motor and Air Flow

NOTE: Use of Roomside pilot light negates UL listing.



Power Cord

Model No.	Description
703902	8 ft Power Cord for all Other SAM Models 110V Only Safety Switch is Standard Equipment for all Models Except LC



Prefilters

Model No.	Description
302190	Prefilter 20" x 20" x 1" 30% ASHRAE Efficient Fits all SAM Units
309802	Super Clean Prefilter 20" x 20" x 1" Suitable for Using in ISI Class 3-5 and Federal Standard 209 Class 1-100 Fits all SAM Units

* Consult the factory for additional sizes.

