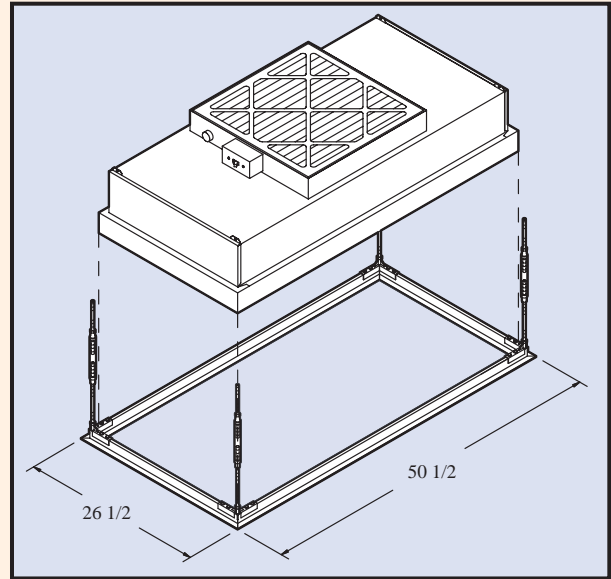
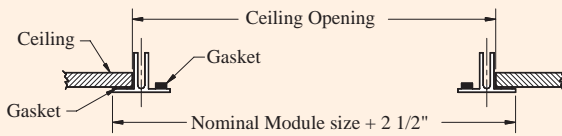


Ceiling Collars

**Structural Support Frame
For Independently Suspending
SAM Filter Units in Solid Ceilings
Consult with Factory for Custom Sizes**

Anodized Aluminum with factory applied gasket and includes four (4) Turnbuckles & RH/LH Threaded Rod. Suspension from top of turnbuckle to building structure by others.



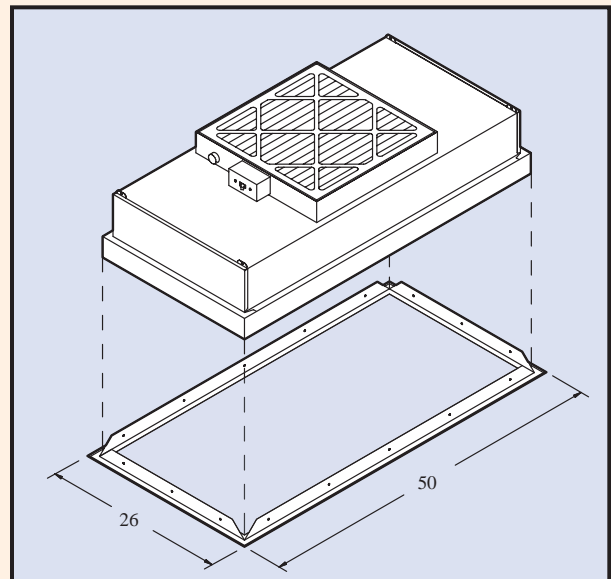
Ordering Information

Part No.	Description	Ceiling Opening Required	
19990	2 x 2 Anodized Aluminum	Min. 25-1/4 x 25-1/4	Max. 25-3/4 x 25-3/4
19991	2 x 4 Anodized Aluminum	Min. 25-1/4 x 49-1/4	Max. 25-3/4 x 49-3/4
19992	2 x 6 Anodized Aluminum	Min. 25-1/4 x 73-1/4	Max. 25-3/4 x 73-3/4

Sheet Rock Adapters

**For Independent Support of
SAM Filter Units in Solid Ceilings**

Fabricated from white powdercoated steel or Stainless Steel and supplied with factory applied gasket. Suspension from building structure by others.



Ordering Information

Part No.	Description	Ceiling Opening Required	
19993	2 x 2 White Sheet Rock Adapter	Min. 24-1/8 x 24-1/8	Max. 24-1/2 x 24-1/2
19994	2 x 4 White Sheet Rock Adapter	Min. 24-1/8 x 48-1/8	Max. 24-1/2 x 48-1/2
19995	2 x 4 Stainless Steel Sheet Rock Adapter	Min. 24-1/8 x 48-1/8	Max. 24-1/2 x 48-1/2
19996	2 x 2 Stainless Steel Sheet Rock Adapter	Min. 24-1/8 x 24-1/8	Max. 24-1/2 x 24-1/2