

## Delivers Up To 1000 CFM

SAM 24 H.O. Series Fan Filter Units are ideal for cleanroom applications with high ceilings.

SAM 24 H.O. Fan Filter Units are designed to deliver from 1000-1200 CFM, and include a 100mm 99.99% efficient HEPA filter, 2" prefilter, seismic clip suspension points, solid state variable speed control with RFI suppression, and a safety switch.

Housings are fabricated from steel with a white powdercoat finish and include seismic clip suspension points.

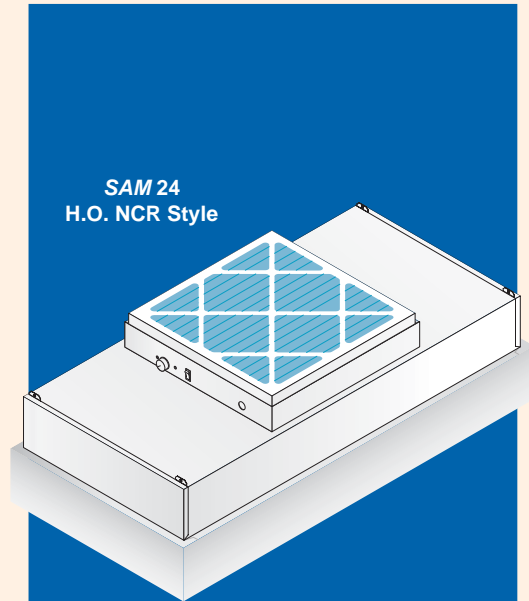
The energy efficient N310 motor blower is a low watt, backward curved impeller, single phase, permanent split capacitor type motor blower assembly with thermal overload protection. Units are available in 115 Volt (60 Hz), 208-230 Volt (50/60 Hz) and 277 (60 Hz).

The HEPA 100mm final filter is protected with a white epoxy diamond pattern grille and is tested according to accepted procedures as described by the Institute of Environmental Sciences (IEST) and or ISO standards.

CRF units feature a polystyrene eggcrate grille in an anodized aluminum frame hinged to open, permitting removal of the HEPA or ULPA filter without removing the unit from the ceiling.

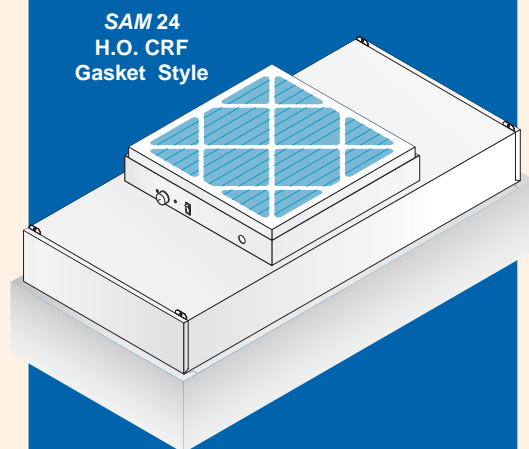
Popular options include an 8' power cord (110 Volt only), 99.9995% eff. ULPA grade final filter, UL 900 Class 1 filters and duct collar adapters. Refer to the back of this section for more options and accessories.

Consult with one of our cleanroom experts in your area, or call the factory for more information.



SAM 24  
H.O. NCR Style

Ideal for Rooms  
with High Ceilings

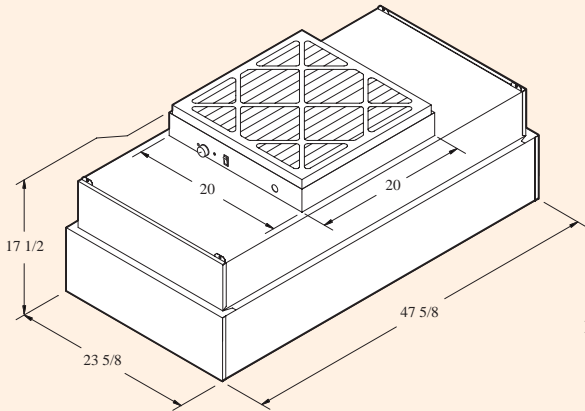


SAM 24  
H.O. CRF  
Gasket Style

Gasket Style HEPA or ULPA Filter is  
Replaceable From Roomside

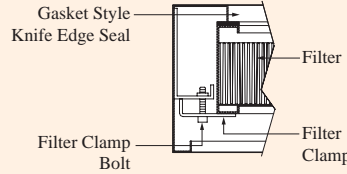
SAM is a registered trademark owned by Clean Rooms International

# Data & Specifications for SAM<sup>®</sup> 24 H.O.

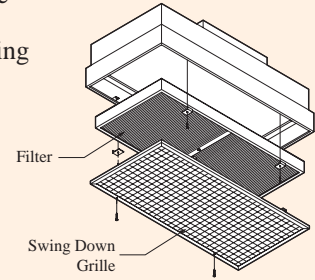


**SAM 24 H.O. CRF Style**

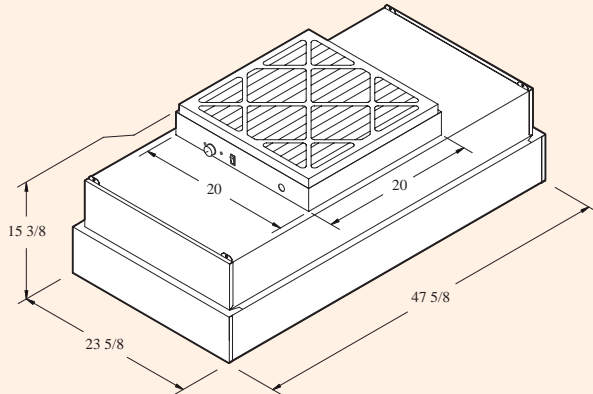
**CRF Style Filter Data:** Size: 20-5/8" x 44-5/8" x 6" with anodized aluminum frame and diamond pattern white epoxy face screen. The HEPA Filter with 100mm media is designed for 145 FPM average face velocity @ initial 0.40 w.g. and has a rated efficiency of 99.99% @ 0.3 micron or larger. An access port with removable plug is located in the center of the filter element face and is used for introducing an upstream challenge or measuring static pressure.



**Filter Clamp Detail**



**Exploded View**



**SAM 24 H.O. NCR Style**

**NCR Style Filter Data:** Size: 23-5/8" x 47-5/8" x 6" with exposed anodized aluminum frame and diamond pattern white epoxy face screen. The HEPA Filter with 100mm media is designed for 145 FPM average face velocity @ initial 0.40 w.g. and has a rated efficiency of 99.99% @ 0.3 micron or larger.

**All Models**

**Standard Equipment:** Includes a N310 Low Watt motor, prefilter and a solid state variable speed control with RFI Suppression. A safety switch is provided for all voltages as listed below.

**Options:** ULPA Filter, Power Cord, Duct Collar Adaptors. More options are shown in the back of this section.

## Ordering Information

Mfg. Code	Model or Description	Style	Size	Motor	Voltage	Hz	Watts	FLA	Weight
12500	SAM 24 H.O.	NCR	2 x 4	N310	115	60	185	1.6	90 lbs. (40.8 kg.)
12501	SAM 24 H.O.	NCR	2 x 4	N310	208-230	50/60	165	.8-.7	90 lbs. (40.8 kg.)
12502	SAM 24 H.O.	NCR	2 x 4	N310	277	60	165	.6	90 lbs. (40.8 kg.)
12503	SAM 24 H.O. CRF	CRF	2 x 4	N310	115	60	185	1.6	110 lbs. (49.9 kg.)
12504	SAM 24 H.O. CRF	CRF	2 x 4	N310	208-230	50/60	165	.8-.7	110 lbs. (49.9 kg.)
12506	SAM 24 H.O. CRF	CRF	2 x 4	N310	277	60	165	.6	110 lbs. (49.9 kg.)

## Replacement Filters

302027	NCR Style HEPA Filter, 99.99% eff. @ 0.3 micron
302028	NCR Style ULPA Filter, 99.9995% eff. @ 0.12 micron
302029	CRF Style ULPA Filter, 99.99% eff. @ 0.3 micron
-	CRF Style HEPA Filter, 99.9995% eff. @ 0.12 micron
302197	Prefilter 20 x 20 x 2, 30% ASHRAE efficient, pleated type

NOTE: Consult with the factory for horizontal flow applications