

Features HEPA Filter and Motor Replaceable from Roomside

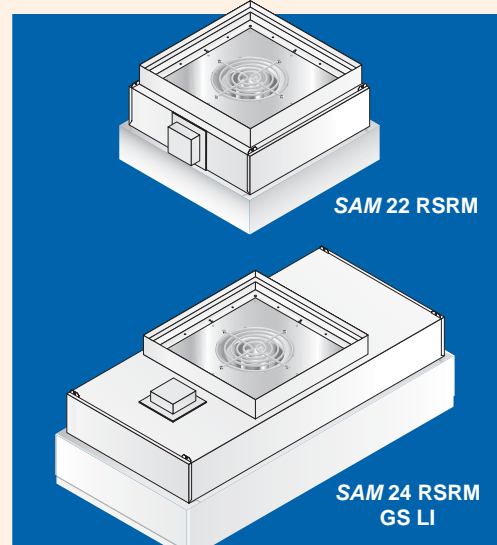
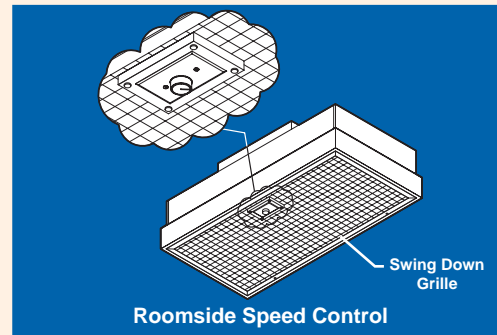
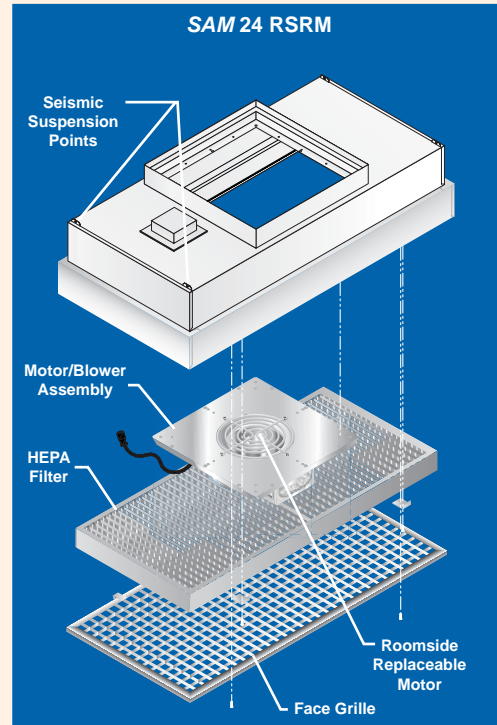
An eggcrate grille in an anodized aluminum frame is hinged to open, permitting removal of the filter and motor blower assembly without removing the unit from the ceiling.

Final filters are protected with a white epoxy diamond pattern grille and are tested according to accepted procedures as described by the Institute of Environmental Sciences (IEST) and/or ISO standards.

The SAM RSRM units feature a gel channel on the upstream side of the final filter which provides a leak-free seal between the filter and the housing.

The energy efficient N310 motor blower assembly is a low watt backward curved impeller, single phase, permanent split capacitor type motor with thermal overload protection.

RSRM units are equipped with a convenient roomside variable speed control with RFI suppression.



Ordering Information				
Mfg. Code	Model or Description	Style	Size	Voltage
12322	SAM 24 RSRM	GS	2 x 4	115
12323	SAM 24 RSRM	GS	2 x 4	208-230
12324	SAM 24 RSRM	GS	2 x 4	277
12325	SAM 22 RSRM	GS	2 x 2	115
12326	SAM 24 RSRM	GS LI*	2 x 4	115

* Fluorescent lamp tubes not included

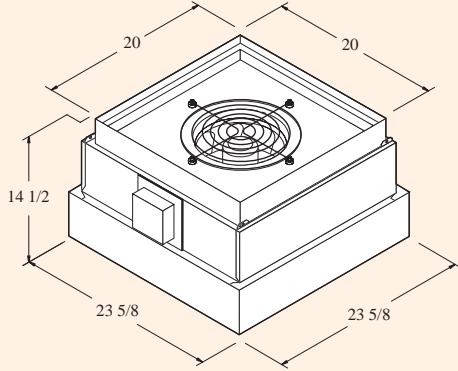
Motor Data					
Motor	Voltage	Hz	Watts	Running Amps	Start-Up Amps
N310	115	60	185	1.6	4.1
N310	208-230	50/60	165	0.8-0.7 ⁽¹⁾	1.5 ⁽²⁾
N310	277	60	165	.6	1.5

(1) Running amps will be less on 50Hz
 (2) Line voltage can affect actual start-up amperage

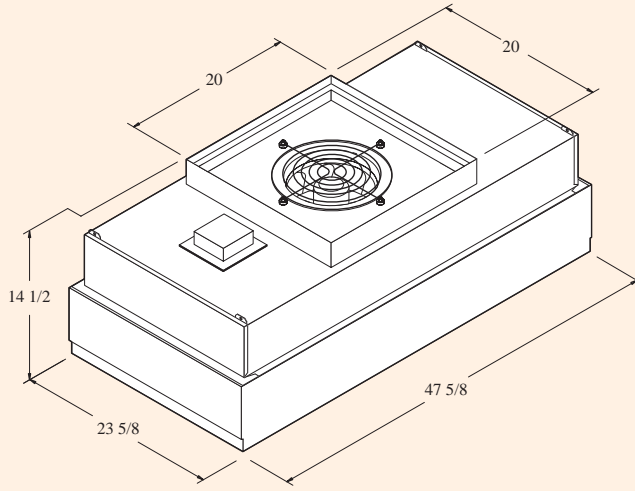
Replacement Filters	
302200	2 x 4 GS Style HEPA Filter, 99.99% eff. @ 0.3 micron
302203	2 x 4 GS Style ULPA Filter, 99.9995% eff. @ 0.12 micron
302201	2 x 2 GS Style HEPA Filter, 99.99% eff. @ 0.3 micron
302204	2 x 2 GS Style ULPA Filter, 99.9995% eff. @ 0.12 micron

NOTE: Consult with the factory for horizontal flow applications

SAM is a registered trademark owned by Clean Rooms International



SAM 22 RSRM



SAM 24 RSRM

HEPA Filter Data: HEPA Filters with upstream gel channel are designed for 90 FPM average face velocity @ initial 0.47 w.g. and has a rated efficiency of 99.99% @ 0.3 micron or larger. An access port with removable plug is located in the center of the filter element face for introducing an upstream challenge or measuring static pressure.

Notes:
