

# 1 1/2" Cleanroom T-Grid System

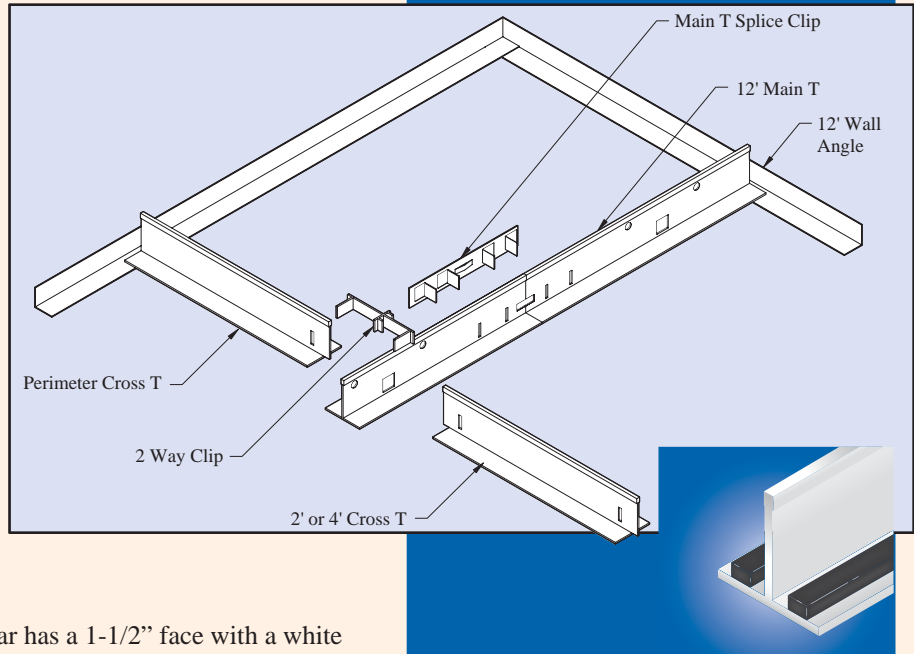
The 1-1/2" T-Grid System is designed for Class 10,000 and 100,000 Cleanrooms or ISO Classes 7 to 9.

Standard opening sizes are 22-1/2" x 46-1/2" for accepting Fan Filter Units, *Cleanguard* Ceiling Panels or cleanroom light fixtures.

For best results the gasket is applied in the field with compression sealing the gaps between system members (i.e., main tees to cross tees and wall angle) and other components.

The extruded aluminum T-Bar has a 1-1/2" face with a white powdercoated or clear anodized finish.

Installation and clip assembly requires no special tools. Main T joins together at each end by means of a #148034 Main T Splice. Cross T-Bar attaches to main runners and other cross runners by means of a #148035 2-way clip which penetrates and slides through slots in Main T runners and other Cross T runners.



**1.5" Gasket Seal**

## Ordering Information

Anodized Aluminum Finish	White Powdercoat Finish	Description	Hardware and Gasket	
			Part No.	Description
Part No.	Part No.		Part No.	Description
148030	148176*	12' Main T	148034	Main T Splice*
148031	148177*	2' Cross T (22.5")	148035	2-Way Clip*
148032	148178*	4' Cross T (46.5")	603320	Gasket, 3/16 x 3/8 x 50' Roll*
148033	148184*	12' wall Angle 3/4" x 3/4" x 34"		
148029	148029*	4' Perimeter Cross T (use w/3/4" x 3/4" x 34" Wall Angle)		

One main tee splice required for each main tee, and one 2-way clip for each cross tee.  
\* Stock Items

## Load Specifications for 1 1/2" T-Grid System

Web Height	Span Hanger Wire Spacing	Spacing of Main Tees	Applied Load LBS./SQ. FT.	ASTM
1 1/2"	24"	48"	14.7	Heavy Duty
	42"	48"	4.8	Heavy Duty
	48"	48"	2.6	Light Duty

Load Data: Load test recommendations outlined here should not be exceeded, nor should the components be deflected more than 1/360th of their span. Use a minimum 12 gauge wire to support all filter units and light fixtures.