

Maintains Constant Air Flow

Our SAM Constant Velocity Option maintains a constant airflow by automatically increasing the fan speed as the filter “loads up” or if static pressure changes within a clean room.

Energy Efficient

The Constant Velocity Option provides an energy efficient method to insure required airflow is maintained within a Cleanroom, Clean Bench, Mini-environment or special cleanroom equipment with HEPA or ULPA filtration.

Available for all SAM models, the Constant Velocity Option can be used with all other options available for standard SAM units.

No Installation Required

A completely self contained enclosure is factory mounted on a SAM unit with no additional installation required. SAM units with Constant Velocity Option are ready to operate out of the box. After starting the unit, adjust the Potentiometer to the desired air volume level based on intake velocity and it will automatically adjust the blower speed for maintaining a set air volume.

Controlling Multiple Units

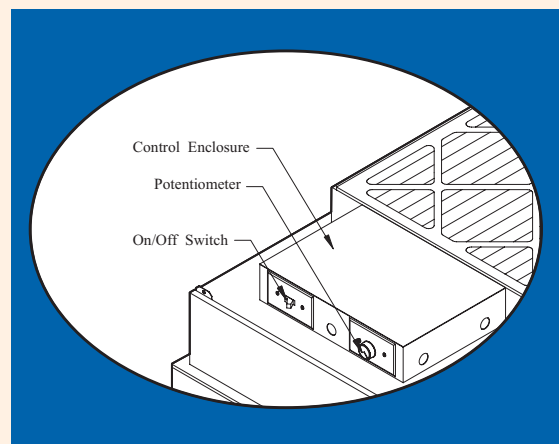
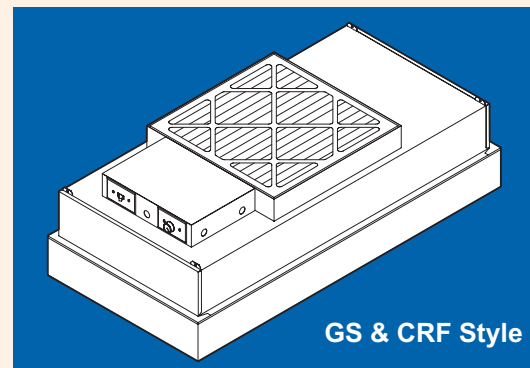
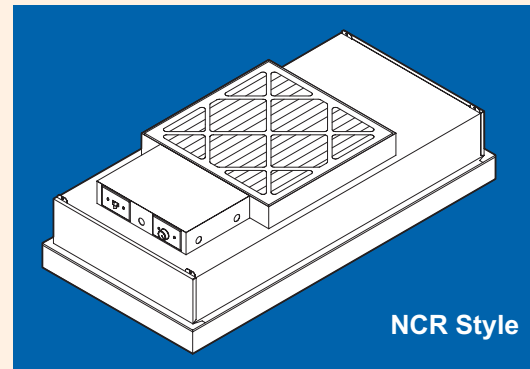
Connecting multiple units in a Master/Slave configuration greatly reduces the initial investment. Spreading the cost over multiple SAM units creates an operating system at a very low cost.

Ordering Information

#19745 Constant Velocity Option, 115 volt.
#19746 Constant Velocity Option, 277 volt.

Use a -2, -3, -4 up thru -10 suffix to designate the number of units required when ordering a multiple system.

Consult the factory for more information.



SAM is a registered trademark owned by Clean Rooms International