

SAM[®] MicroSound CRF/LI with Lights

**HEPA Filters Replaceable
From Roomside.
Energy Efficient Motors.**

SAM MicroSound units include a 99.99% efficient HEPA filter, a pre-filter, seismic clip suspension points, a solid state variable speed control with RFI suppression and a safety switch.

The standard 2' x 4' models are designed to fit a nominal 2' x 4' ceiling grid with a 22.5" x 46.5" opening.

Housings are fabricated from steel with a white powdercoat finish.

The energy efficient blower is a low watt backward curved impeller, single phase, permanent split capacitor type motor blower assembly with thermal overload protection. Units are available in 115 Volt (60 Hz), 208-230 Volt (50/60 Hz) and 277 (60 Hz).

The HEPA or ULPA 99.9995% eff. @ 0.12 micron final filters are protected with a white epoxy diamond pattern grille and are tested according to accepted procedures as described by the Institute of Environmental Sciences (IEST) and or ISO standards.

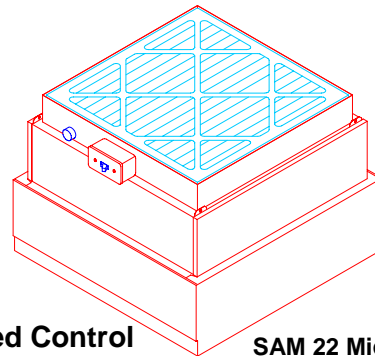
Filter options include gasket style ULPA 99.9995% or PTPE 99.99995% efficiencies and gel seal style HEPA or ULPA grade filters.

An acrylic eggcrate grille in an anodized aluminum frame is hinged to open, permitting removal of the filter without removing the unit from the ceiling.

The integral light fixture and T8 electronic ballast is located inside the filter housing below the final HEPA filter. This permits fluorescent light bulbs or ballast to be replaced easily.

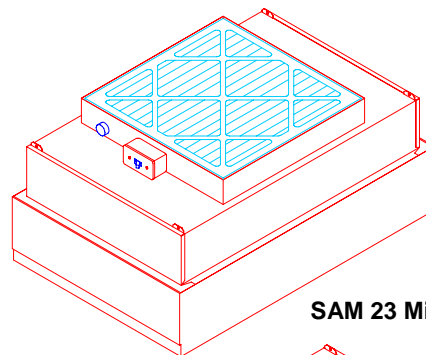
Additional options and accessories are shown in the back of this section.

Consult with one of our cleanroom experts in your area, or call the factory for more information.

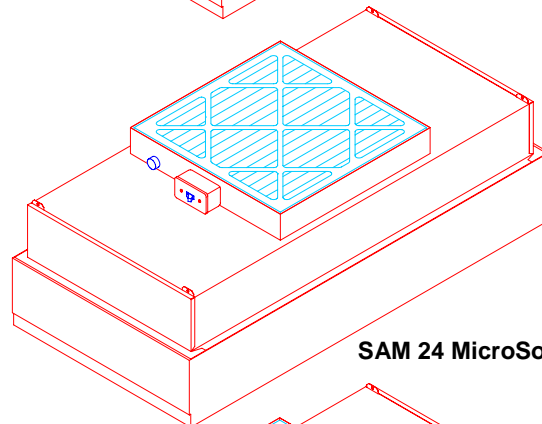


**Variable Speed Control
For Fine Tuning**

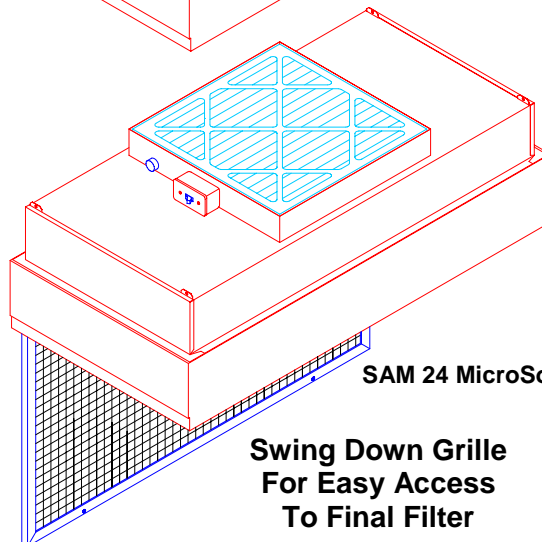
SAM 22 MicroSound CRF/LI



SAM 23 MicroSound CRF/LI



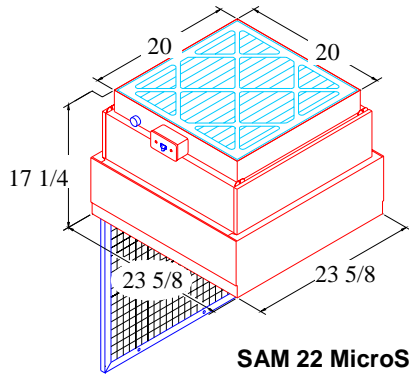
SAM 24 MicroSound CRF/LI



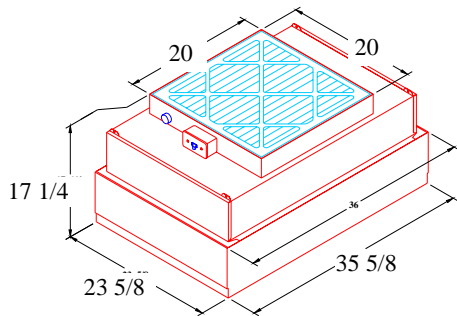
SAM 24 MicroSound CRF/LI

**Swing Down Grille
For Easy Access
To Final Filter**

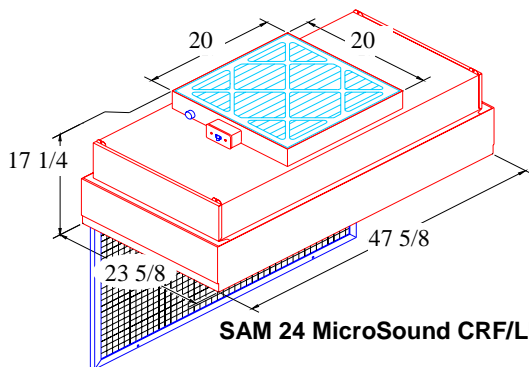
SAM is a registered trademark owned by Clean Rooms International



SAM 22 MicroSound CRF/LI



SAM 23 MicroSound CRF/LI



SAM 24 MicroSound CRF/LI

CRF Style Filter Data: The HEPA Filter is designed for 90 FPM average face velocity @ initial 0.47 w.g. and has a rated efficiency of 99.99% @ 0.3 micron or larger.

An anodized aluminum frame holds the 53mm media which is protected by a diamond pattern white epoxy coated steel grille. Final filters are replaceable from roomside.

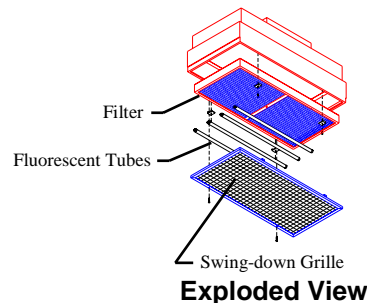
Filter Dimensions: 20-5/8" x 20-5/8" x 3" for SAM 22, 20-5/8" x 32-5/8" for SAM 23, and 20-5/8" x 44-5/8" x 3" for SAM 24 units.

Access Port: This port is located in the center of the filter element face and is used for introducing an upstream challenge or measuring static pressure.

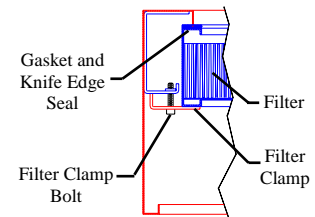
Standard Equipment: Includes a N310 Low Watt motor, a prefilter and a solid state variable speed control with RFI Suppression. A safety switch is provided for all voltages as listed below.

Lights: Integral 4-lamp Light Fixture with T8 Electronic Ballast. Lights are automatically on when fan is running. Fluorescent light tubes are not included.

Options: ULPA Filter, Power Cord, Duct Collar Adaptors. More options are shown in the back of this section.



Exploded View



Filter Clamp Detail

Consult with Factory for Horizontal Applications

Ordering Information

Mfg. Code	Model or Description	Size	Motor	Voltage	Hz	Watts	Running Amps	FLA	Weight
12130	SAM 22 MS CRF/LI	2 x 2	N310	115	60	185	1.7	4.0	65 lbs. (29.5 kg.)
12121	SAM 22 MS CRF/LI	2 x 2	N310	208-230	50/60	170	1.0	1.9	65 lbs. (29.5 kg.)
12122	SAM 22 MS CRF/LI	2 x 2	N310	277	60	165	.6	1.3	65 lbs. (29.5 kg.)
12152	SAM 23 MS CRF/LI	2 x 3	N310	115	60	185	1.7	4.0	83 lbs. (37.7 kg.)
12230	SAM 24 MS CRF/LI	2 x 4	N310	115	60	185	1.7	4.0	100 lbs. (45.5 kg.)
12231	SAM 24 MS CRF/LI	2 x 4	N310	208-230	50/60	170	1.0	1.9	100 lbs. (45.5 kg.)
12232	SAM 24 MS CRF/LI	2 x 4	N310	277	60	165	.6	1.3	100 lbs. (45.5 kg.)

Replacement Filters

HEPA Filters are 99.99% eff. @ 0.3 micron - ULPA Filters are 99.9995% eff. @ 0.12 micron - All are 53 mm. media

Model	HEPA	ULPA	Gel Seal HEPA	Gel Seal ULPA	Pre-filter
SAM 22 MS CRF LI	302020	302021	302201	302204	302190
SAM 23 MS CRF LI	302014	302016	NA	NA	302190
SAM 24 MS CRF LI	302030	302040	302200	302203	302190

Specification Sheets are available upon request