

# Stainless Steel SAM<sup>®</sup> MicroSound

Stainless Steel SAM MicroSound Series Fan Filter Units feature housings fabricated from #304 stainless steel with #4 brushed finish.

All standard SAM Fan Filter Units include a 99.99% efficient HEPA filter, prefilter, seismic clip suspension points and solid state variable speed control with RFI suppression.

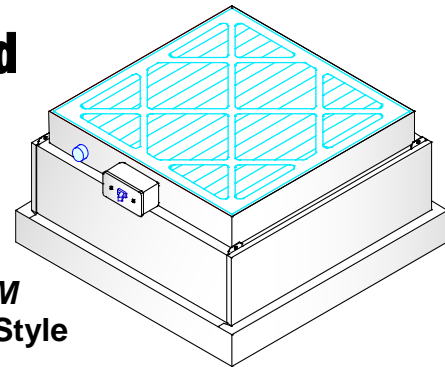
The blower is a 115 volt low watt AC backward curved impeller, 60hz, single phase, permanent split capacitor type motor blower assembly with thermal overload protection. Other motor and voltage options are 208-230 (50/60 hz) and 277 (60 hz).

NCR Style final filters feature a stainless steel frame and are protected with a stainless steel round perforated grille on the downstream side.

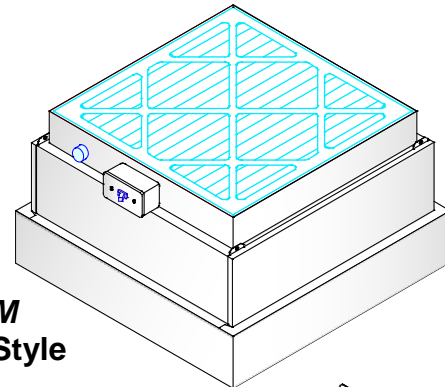
SAM CRF Fan Filter Units feature a HEPA or ULPA filter replaceable from roomside.

A round perforated stainless steel grille and frame assembly is attached with four (4) screws. Removing the grille permits replacing the HEPA or ULPA final filter without removing the unit from the ceiling. Final filters inside the housing are standard CRF style with aluminum frame.

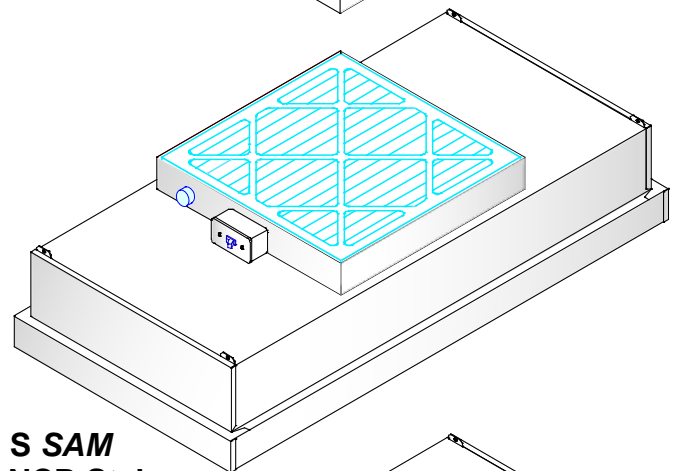
All final filters are tested according to accepted procedures as described by the Institute of Environmental Sciences (IEST) and/or ISO standards.



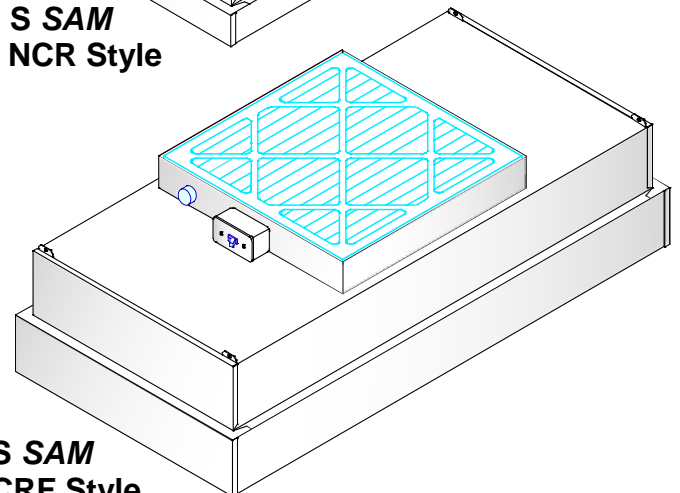
**S S SAM  
2 x 2 NCR Style**



**S S SAM  
2 x 2 CRF Style**



**S S SAM  
2 x 4 NCR Style**



**S S SAM  
2 x 4 CRF Style**

# Stainless Steel SAM<sup>®</sup> Units

## 2'x 2'

**NCR Style Filter Data:** Size: 23-5/8" x 23-5/8" x 3" with exposed stainless steel frame. The HEPA is designed for 90 FPM average face velocity @ initial 0.47 w.g. and has a rated efficiency of 99.99% @ 0.3 micron or larger.

**CRF Style Filter Data:** Size: 20-5/8" x 20-5/8" x 3" with anodized aluminum frame and diamond pattern white epoxy face screen. The HEPA is designed for 90 FPM average face velocity @ initial 0.47 w.g. and has a rated efficiency of 99.99% @ 0.3 micron or larger. An access port with removable plug is located in the center of the filter element face for introducing an upstream challenge or measuring static pressure.

## 2'x 4'

**CRF Style Filter Data:** Size: 20-5/8" x 44-5/8" x 3" with anodized aluminum frame and diamond pattern white epoxy face screen. The HEPA is designed for 90 FPM average face velocity @ initial 0.47 w.g. and has a rated efficiency of 99.99% @ 0.3 micron or larger. An access port with removable plug is located in the center of the filter element face for introducing an upstream challenge or measuring static pressure.

**NCR Style Filter Data:** Size: 23-5/8" x 47-5/8" x 3" with exposed stainless steel frame. The HEPA is designed for 90 FPM average face velocity @ initial 0.47 w.g. and has a rated efficiency of 99.99% @ 0.3 micron or larger.

### Actual Sizes

2 x 2 NCR Style	23-5/8" x 23-5/8" x 12-5/8"	2 x 2 CRF Style	23-5/8" x 23-5/8" x 14-1/2"
2 x 4 NCR Style	23-5/8" x 47-5/8" x 12-5/8"	2 x 4 CRF Style	23-5/8" x 47-5/8" x 14-1/2"

### Ordering Information

Mfg. Code	Model or Description	Size	Motor	Voltage	Hz	Watts	Weight
NCR Style:							
12106	SS SAM 22 MS	2 x 2	310	115	60	185	52 lbs. (24 kg.)
12108	SS SAM 22 MS	2 x 2	310	208-230	50/60	170	52 lbs. (24 kg.)
12109	SS SAM 22 MS	2 x 2	310	277	60	165	52 lbs. (24 kg.)
12270	SS SAM 24 MS	2 x 4	310	115	60	185	75 lbs. (34 kg.)
12271	SS SAM 24 MS	2 x 4	310	208-230	50/60	170	75 lbs. (34 kg.)
12272	SS SAM 24 MS	2 x 4	310	277	60	165	75 lbs. (34 kg.)
CRF Style:							
12110	SS SAM 22 MS CRF	2 x 2	310	115	60	185	70 lbs. (32 kg.)
12112	SS SAM 22 MS CRF	2 x 2	310	208-230	50/60	170	70 lbs. (32 kg.)
12113	SS SAM 22 MS CRF	2 x 2	310	277	60	165	70 lbs. (32 kg.)
12273	SS SAM 24 MS CRF	2 x 4	310	115	60	185	100 lbs. (46 kg.)
12274	SS SAM 24 MS CRF	2 x 4	310	208-230	50/60	170	100 lbs. (46 kg.)
12275	SS SAM 24 MS CRF	2 x 4	310	277	60	165	100 lbs. (46 kg.)
302020	2 x 2 CRF Style Replacement HEPA Filter, 99.99% eff. @ 0.3 micron						
302021	2 x 2 CRF Style Replacement ULPA Filter, 99.9995% eff. @ 0.12 micron						
302030	2 x 4 CRF Style Replacement HEPA Filter, 99.99% eff. @ 0.3 micron						
302040	2 x 4 CRF Style Replacement ULPA Filter, 99.9995% eff. @ 0.12 micron						
302070-SS	2 x 2 NCR Style Replacement HEPA Filter, 99.99% eff. @ 0.3 micron						
302090-SS	2 x 4 NCR Style Replacement HEPA Filter, 99.99% eff. @ 0.3 micron						
302190	Prefilter 30% ASHRAE efficient, pleated type						

NOTE: Consult with the factory for horizontal flow applications

Specification Sheets are available upon request