

SAM[®] MicroWatt CRF

**HEPA Filters Replaceable
From Roomside.
Power Consumption
Less Than one Amp.**

SAM MicroWatt Fan Filter Units feature energy efficient motors, resulting in lower operating costs, low sound levels and a HEPA or ULPA filter.

SAM MicroWatt units include a 99.99% efficient HEPA filter, pre-filter, seismic clip suspension points, solid state variable speed control with RFI suppression and a safety switch.

The standard 2' x 4' models are designed to fit a nominal 2' x 4' ceiling grid with a 22.5" x 46.5" opening.

Housings are fabricated from steel with a white powdercoat finish.

The energy efficient blower is a low watt backward curved impeller, single phase, permanent split capacitor type motor blower assembly with thermal overload protection. Units are available in 115 Volt (60 Hz), 208-230 Volt (50/60 Hz) and 277 (60 Hz).

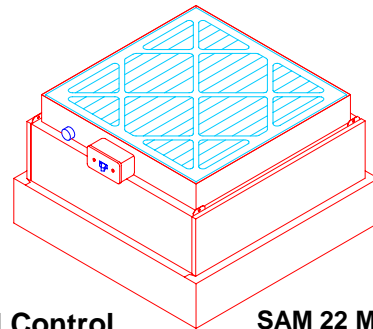
HEPA or ULPA 99.9995% eff. @ 0.12 micron final filters are protected with a white epoxy diamond pattern grille and are tested according to accepted procedures as described by the Institute of Environmental Sciences (IEST) and or ISO standards.

Filter options include gasket style ULPA 99.9995% or PTPE 99.99995% efficiencies and gel seal style HEPA or ULPA grade filters.

A polystyrene eggcrate grille in an anodized aluminum frame is hinged to open, permitting removal of the filter without removing the unit from the ceiling. Optional perforated stainless steel or aluminum grilles are available.

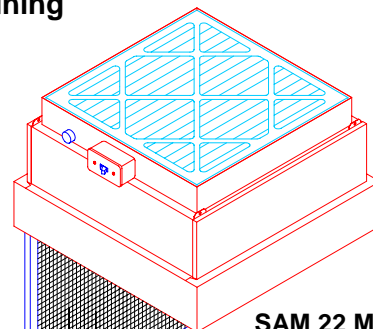
Additional options and accessories are shown in the back of this section.

Consult with one of our cleanroom experts in your area, or call the factory for more information.

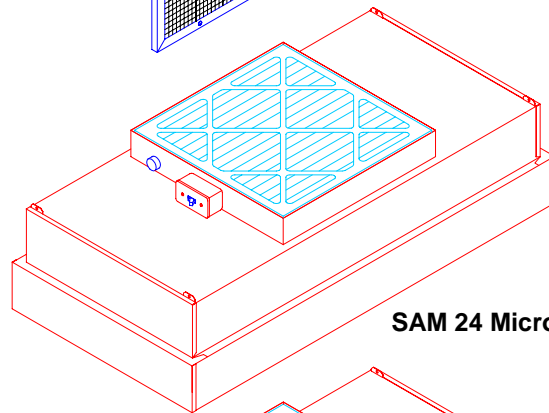


SAM 22 MicroWatt CRF

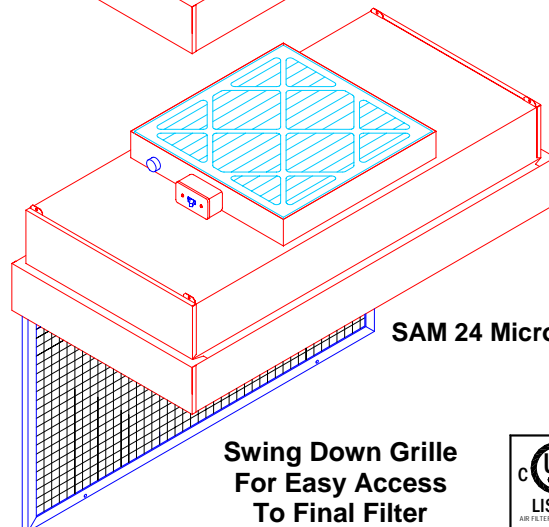
**Variable Speed Control
For Fine Tuning**



SAM 22 MicroWatt CRF



SAM 24 MicroWatt CRF

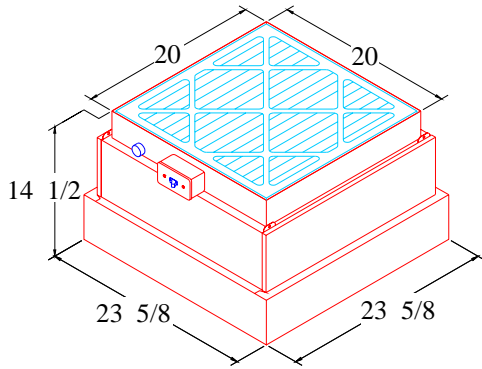


SAM 24 MicroWatt CRF

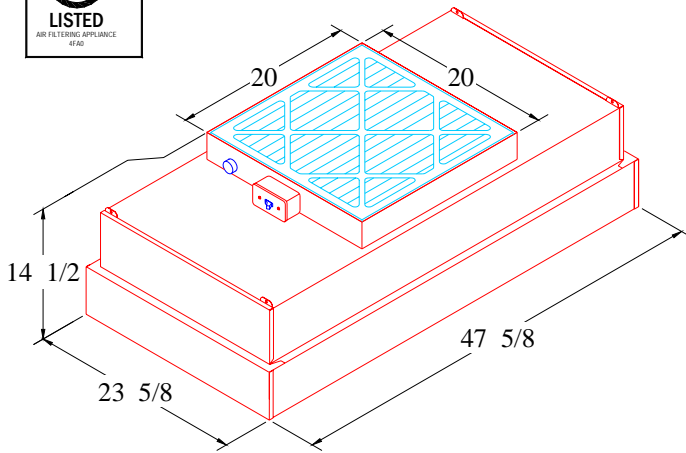
**Swing Down Grille
For Easy Access
To Final Filter**



SAM is a registered trademark owned by Clean Rooms International



SAM 22 MicroWatt CRF



SAM 24 MicroWatt CRF

CRF Style Filter Data: The HEPA Filter is designed for 90 FPM average face velocity @ initial 0.47 w.g. and has a rated efficiency of 99.99% @ 0.3 micron or larger.

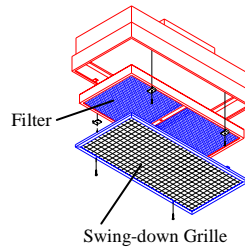
An anodized aluminum frame holds the 53mm media which is protected by a diamond pattern white epoxy coated steel grille. Final filters are replaceable from roomside.

Filter Dimensions: The HEPA and ULPA filters are 20-5/8" x 20-5/8" x 3" for SAM 22 units and are 20-5/8" x 44-5/8" x 3" for SAM 24 units.

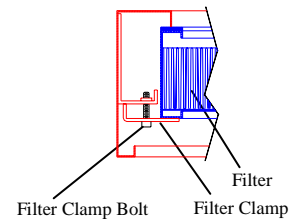
Access Port: This port is located in the center of the filter element face and is used for introducing an upstream challenge or measuring static pressure.

Standard Equipment: Includes a 280 Low Watt motor, a prefilter and a solid state variable speed control with RFI Suppression. A safety switch is provided for all voltages as listed below.

Options: ULPA Filter, Power Cord, Duct Collar Adaptors. More options are shown in the back of this section.



Exploded View



Filter Clamp Detail

Consult with Factory for Horizontal Applications

Ordering Information

Mfg. Code	Model or Description	Size	Motor	Voltage	Hz	Watts	FLA	Weight
12123*	SAM 22 MS CRF LW	2 x 2	280 LW	115	60	115	1.5***	65 lbs. (29.5 kg.)
12254*	SAM 24 MS CRF LW	2 x 4	280 LW	115	60	115	1.5***	75 lbs. (34 kg.)
12255**	SAM 24 MS CRF LW	2 x 4	280 LW	208-230	50/60	115	0.5	75 lbs. (34 kg.)
12256**	SAM 24 MS CRF LW	2 x 4	280 LW	277	60	105	0.4	75 lbs. (34 kg.)

- 302020 2x2 CRF Style Replacement HEPA Filter, 99.99% eff. @ 0.3 micron
- 302021 2x2 CRF Style Replacement ULPA Filter, 99.9995% eff. @ 0.12 micron
- 302030 2x4 CRF Style Replacement HEPA Filter, 99.99% eff. @ 0.3 micron
- 302040 2x4 CRF Style Replacement ULPA Filter, 99.9995% eff. @ 0.12 micron
- 302201 2x2 Gel Seal Style HEPA Filter, 99.99% eff. @ 0.3 micron
- 302204 2x2 Gel Seal Style ULPA Filter, 99.9995% eff. @ 0.12 micron
- 302200 2x4 Gel Seal Style HEPA Filter, 99.99% eff. @ 0.3 micron
- 302203 2x4 Gel Seal Style ULPA Filter, 99.9995% eff. @ 0.12 micron
- 302190 Prefilter 30% ASHRAE efficient, pleated type

* UL Listed
 ** Special Order Motors
 *** Field Tests show this unit running at 1.0 amps or less

Specification Sheets are available upon request