

SAM[®] MicroWatt

Low Profile NCR

SAM MicroWatt Fan Filter Units feature energy efficient motors, resulting in lower operating costs, low sound levels and a HEPA or ULPA filter.

SAM MicroWatt units include a 99.99% efficient HEPA filter, pre-filter, seismic clip suspension points, solid state variable speed control with RFI suppression and a safety switch.

Standard 2' x 4' models are designed to fit a nominal 2' x 4' ceiling grid with a 22.5" x 46.5" opening.

Housings are fabricated from steel with a white powdercoat finish.

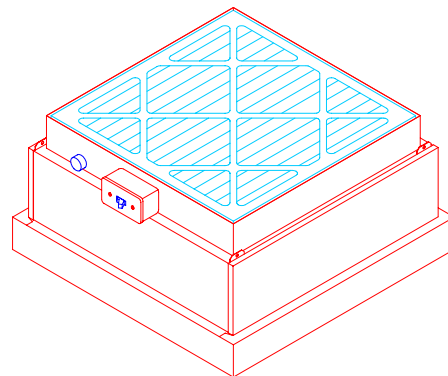
The energy efficient blower is a low watt backward curved impeller, single phase, permanent split capacitor type motor blower assembly with thermal overload protection. Units are available in 115 Volt (60 Hz), 208-230 Volt (50/60 Hz) and 277 (60 Hz).

HEPA or ULPA 99.9995% eff. @ 0.12 micron final filters are protected with a white epoxy diamond pattern grille and are tested according to accepted procedures as described by the Institute of Environmental Sciences (IEST) and or ISO standards.

Additional options and accessories are shown in the back of this section.

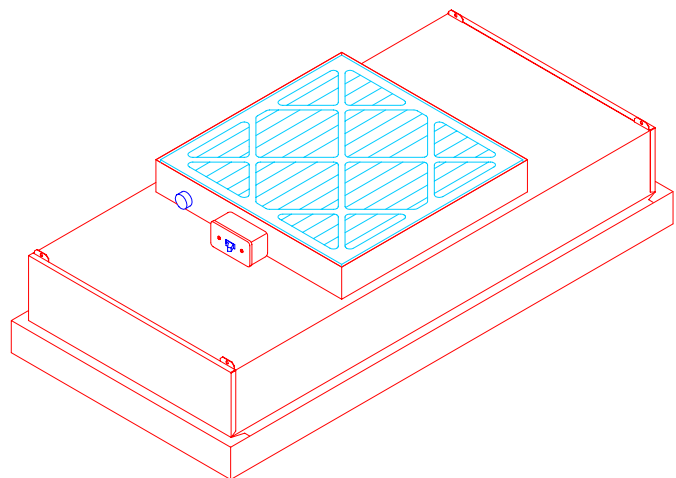
Consult with one of our cleanroom experts in your area, or call the factory for more information.

Save Energy!
Power Consumption Less Than One Amp.



SAM 22 MicroWatt

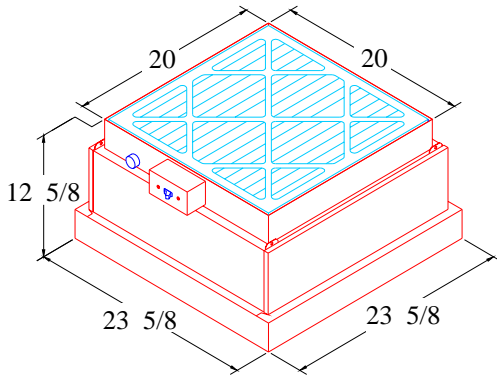
Variable Speed Control For Fine Tuning



SAM 24 MicroWatt



SAM is a registered trademark owned by Clean Rooms International



SAM 22 MicroWatt

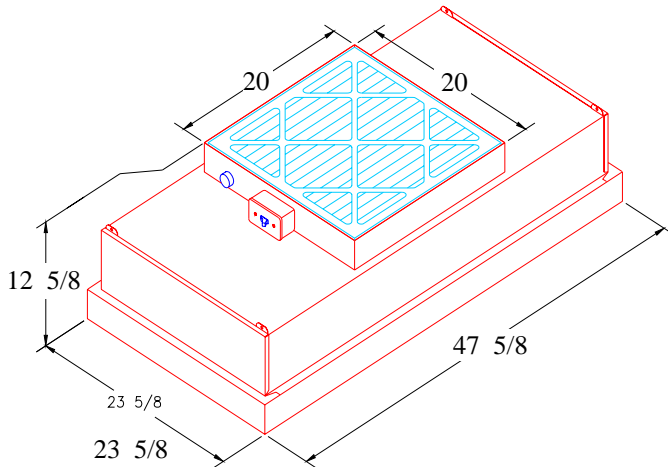


NCR Style Filter Data: Size: 23-5/8" x 23-5/8" x 3" with exposed anodized aluminum frame and diamond pattern white epoxy coated steel face screen. The HEPA Filter is designed for 90 FPM average face velocity @ initial 0.47 w.g. and has a rated efficiency of 99.99% @ 0.3 micron or larger.

Actual Size: 23-5/8" x 23-5/8" x 12-5/8"

Standard Equipment: Includes a 280 Low Watt motor, a prefilter and a solid state variable speed control with RFI Suppression. A safety switch is provided for all voltages as listed below.

Options: ULPA Filter, Power Cord, Duct Collar Adaptors. More options are shown in the back of this section.



SAM 24 MicroWatt

NCR Style Filter Data: Size: 23-5/8" x 47-5/8" x 3" with exposed anodized aluminum frame and diamond pattern white epoxy coated steel face screen. The HEPA Filter is designed for 90 FPM average face velocity @ initial 0.47 w.g. and has a rated efficiency of 99.99% @ 0.3 micron or larger.

Actual Size: 23-5/8" x 47-5/8" x 12-5/8"

Standard Equipment: Includes a 280 Low Watt motor, a prefilter and a solid state variable speed control with RFI Suppression. A safety switch is provided for all voltages as listed below.

Options: ULPA Filter, Power Cord, Duct Collar Adaptors. More options are shown in the back of this section.

Consult with Factory for Horizontal Flow Applications

Ordering Information

Mfg. Code	Model or Description	Size	Motor	Voltage	Hz	Watts	FLA	Weight
12103*	SAM 22 MS LW	2 x 2	280 LW	115	60	115	1.5***	53 lbs. (24.0 kg.)
12250*	SAM 24 MS LW	2 x 4	280 LW	115	60	115	1.5***	65 lbs. (29.5 kg.)
12251**	SAM 24 MS LW	2 x 4	280 LW	208-230	50/60	115	0.5	65 lbs. (29.5 kg.)
12252**	SAM 24 MS LW	2 x 4	280 LW	277	60	105	0.4	65 lbs. (29.5 kg.)

- 302070 2x2 NCR Style Replacement HEPA Filter, 99.99% eff. @ 0.3 micron
- 302071 2x2 NCR Style Replacement ULPA Filter, 99.9995% eff. @ 0.12 micron
- 302090 2x4 NCR Style Replacement HEPA Filter, 99.99% eff. @ 0.3 micron
- 302100 2x4 NCR Style Replacement ULPA Filter, 99.9995% eff. @ 0.12 micron
- 302190 Prefilter 30% ASHRAE efficient, pleated type

* UL Listed
 ** Special Order Motors
 *** Field Tests show this unit running at 1.0 amps or less.

Specification Sheets are available upon request